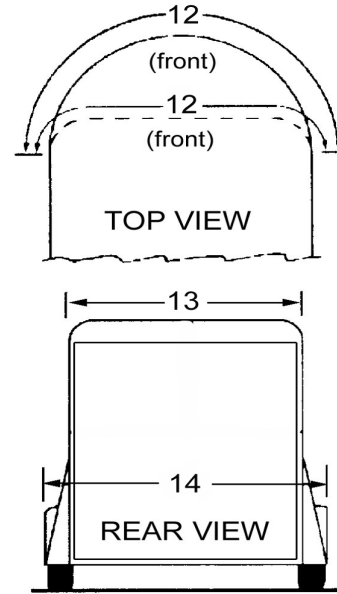
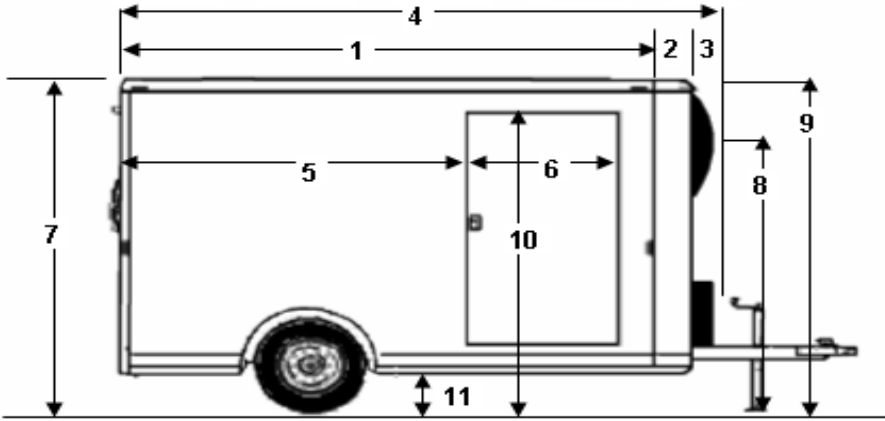




**DIMENSION SHEET - UTILITY TRAILER  
(BUMPER PULL)**



- 1 Distance from rear of trailer to front seam \_\_\_\_\_
- 2 Distance from front seam to front of trailer \_\_\_\_\_
- 3 Distance from front of trailer to front of cap \_\_\_\_\_
- 4 Overall length of trailer body \_\_\_\_\_
- 5 Distance from rear of trailer to door \_\_\_\_\_
- 6 Door width (Note which side of trailer the door is on) \_\_\_\_\_
- 7 Ground to top of trailer at rear \_\_\_\_\_
- 8 Ground to forward point of front cap \_\_\_\_\_
- 9 Ground to top of trailer at front \_\_\_\_\_
- 10 Ground to top of side door \_\_\_\_\_
- 11 Ground to bottom of trailer frame \_\_\_\_\_
- 12 Distance from seam on one side, around the front to seam \_\_\_\_\_  
on the other side
- 13 Width of trailer body \_\_\_\_\_
- 14 Width of trailer including fenders \_\_\_\_\_

NOTE: All measurements, except # 12 are taken on a straight horizontal or vertical line, NOT a curve or slant.

**Trailer Information**

Does the trailer have an AC? \_\_\_\_\_

If yes, give measurements from rear of trailer to AC \_\_\_\_\_

Year \_\_\_\_\_

Make \_\_\_\_\_

Model \_\_\_\_\_

NAME \_\_\_\_\_

Daytime phone \_\_\_\_\_

Date of order \_\_\_\_\_