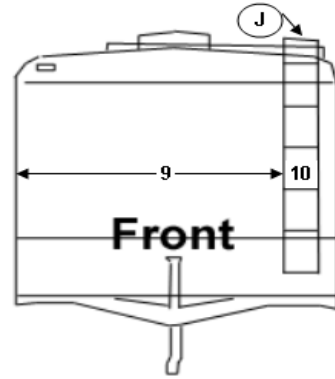
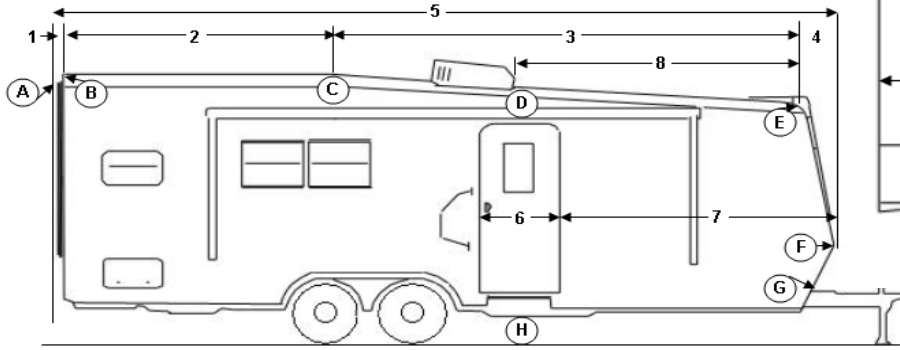




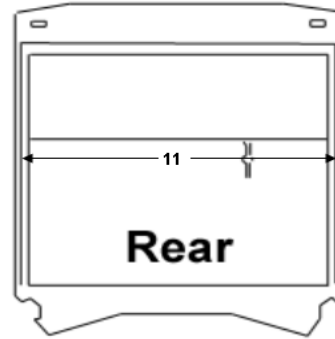
DIMENSION SHEET - SPORT UTILITY TRAVEL TRAILER



- Lengths - Measured Horizontally**
- # 1 Rear ramp to rear of roof _____
 - # 2 Rear of roof to slant in roof _____
 - # 3 Slant in roof to front of roof _____
 - # 4 Front of roof to front of trailer _____
 - # 5 Overall Length _____

If you have measured correctly, the total of # 1 through # 4 should be the same as # 5.

Rear ramp door is optional. An additional charge will be added for rear ramp zipper entry.



- # 6 Door width _____
- # 7 Trailer front to front edge of door _____
- # 8 Front of roof to front of AC _____
- # 9 Distance from curb-side to ladder _____
- # 10 Ladder width _____
- # 11 Rear ramp width _____

- Heights - Measured from Ground**
- A Height at top of ramp _____
 - B Height of roof at rear _____
 - C Height of roof at slant _____
 - D Height of roof at front of AC _____
 - E Height of roof at front _____
 - F Height at point "F" _____
 - G Height at top of tongue _____
 - H Road clearance _____
 - J Height to top of ladder _____

- Widths, Measured Side to Side at Points Shown**
- A Width at top of ramp _____
 - B Width of roof at rear _____
 - C Width of roof at slant _____
 - D Width of roof at front of AC _____
 - E Width of roof at front _____
 - F Width at point "F" _____

A photo of the trailer will help us make the pattern. The photo can be returned if requested.

Trailer Information

1 Do you have an awning? _____ How far does it extend out from the side (closed) _____
 Driver or passenger side? _____

2 Do you have a 2nd AC? _____ Measure the distance between the two _____

3 Do you have a roof rack? _____ Front or rear? _____ Height from roof _____

YEAR _____ Name _____

MAKE _____ Daytime phone _____

MODEL _____ Date of order _____

FLOOR PLAN _____